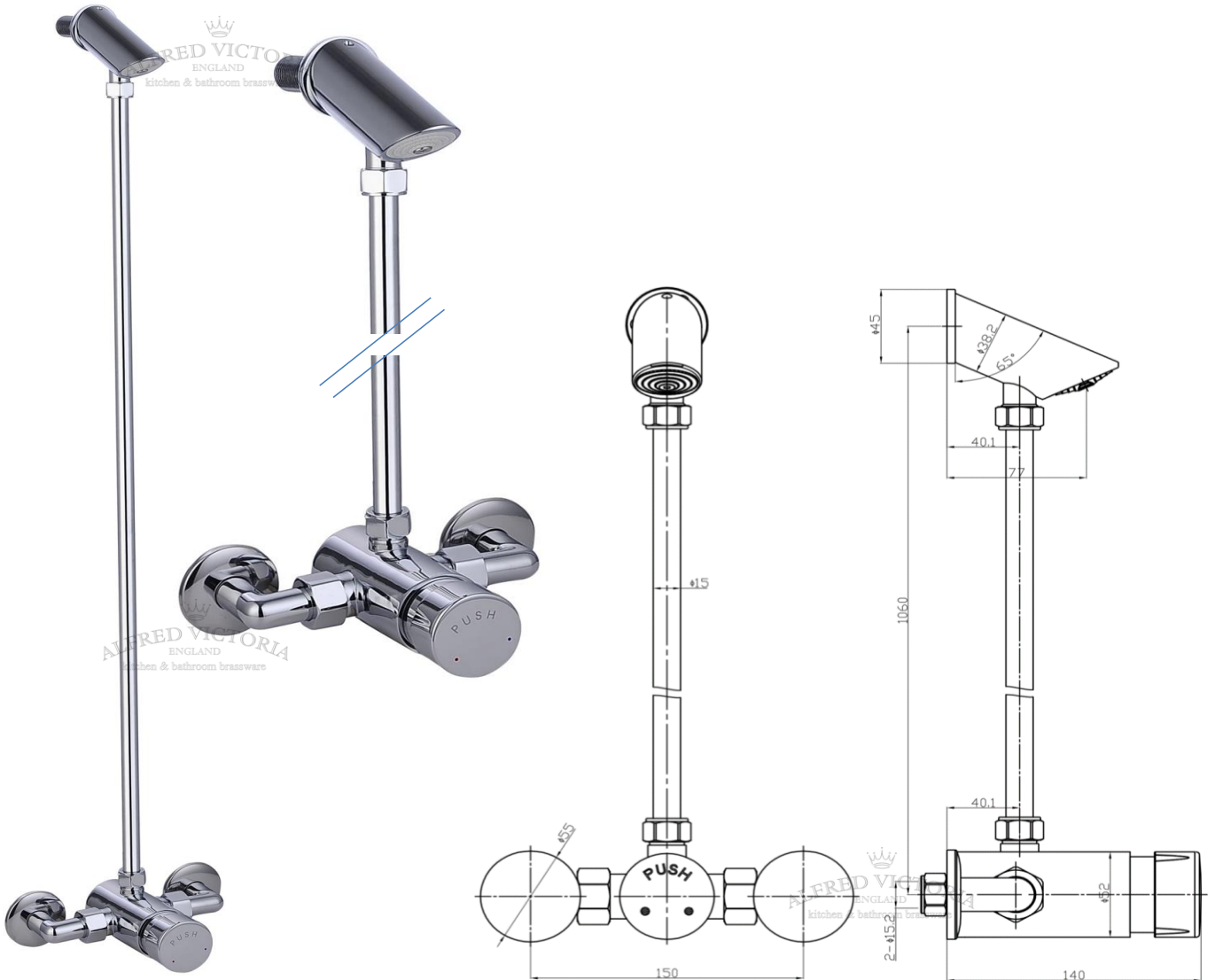


TECHNICAL DATA SHEET

UT41 Exposed non concussive shower mixer

Barcode	0729557185199
Product Code	UT41
Construction	Brass Body (CuZn40Pb18); Zinc-alloy Handle
Finishes	Chrome plated to BS EN 248
Product Type	Contemporary
Water Pressure	Min. 1.0 bar, Max. 6.0 bar
Plumbing Systems	Suitable for all plumbing systems, Hot and Cold water pressure preferably balanced Max. supply pressure differential requirement no greater than 5:1
Standards	Complies with BS5412, BS EN200
Certification	Manufactured to comply with CE
Cartridge	Time adjustable Non concussive mixer valve
Aerator	Aerated
Fitting	Brass 15mm Compression connection with Copper olives
Packaging	102.5 x 16 x 7.5cm / carton (1 box); Dimension: 101 x15 x 7cm / box; Weight: 2.64Kg / box
Guarantee	10 years against manufacturing faults (excluding serviceable parts)
Additional Information	Adjustable flow time (Between 10 - 20 Seconds)

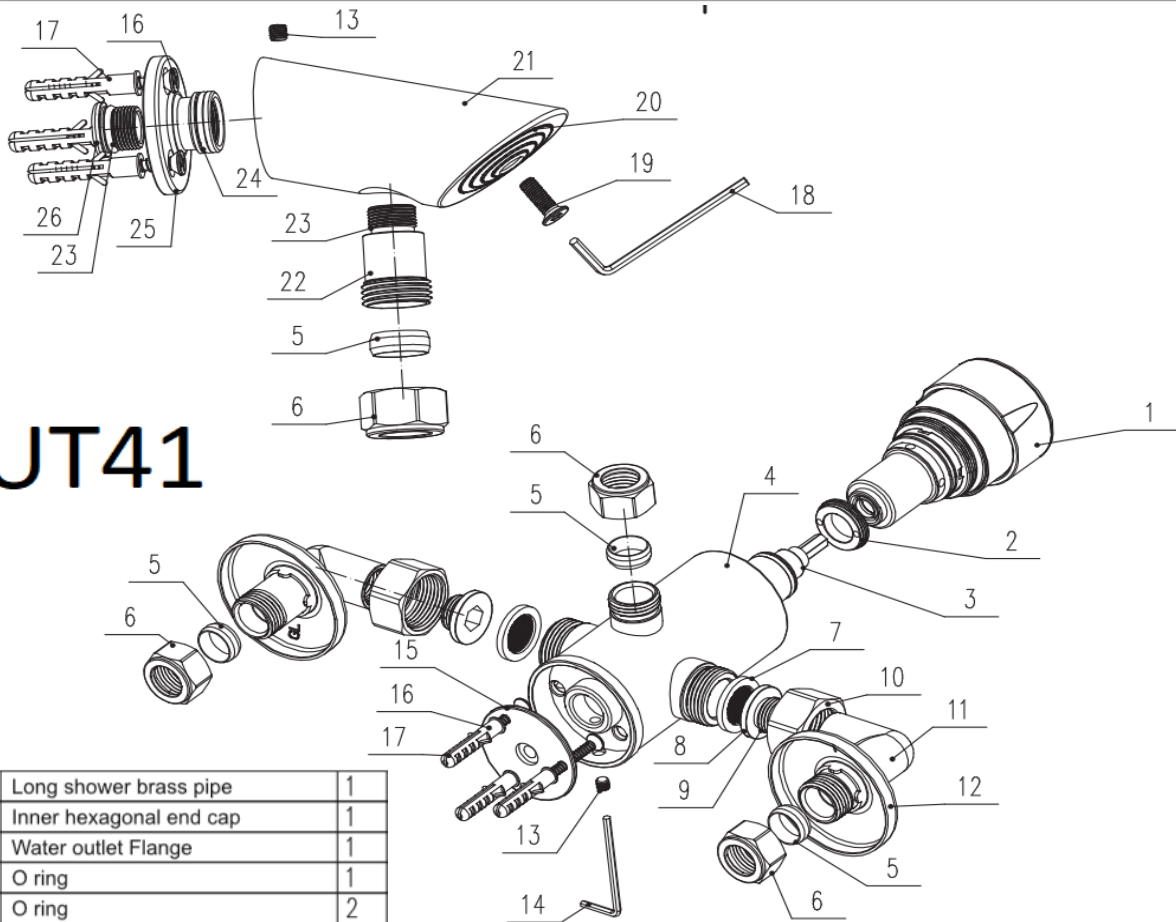


Flow Rates (Litres per minute)

System Pressure	0.1 Bar	0.2 Bar	0.3 Bar	0.5 Bar	1.0 Bar	1.5 Bar	2.0 Bar	3.0 Bar	4.0 Bar	5.0 Bar
UT41	-	2.8	-	3.9	6.6	8.6	9.9	11.6	13.5	14.8

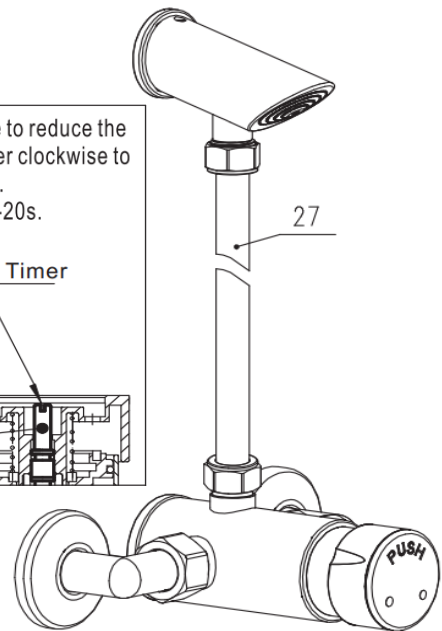
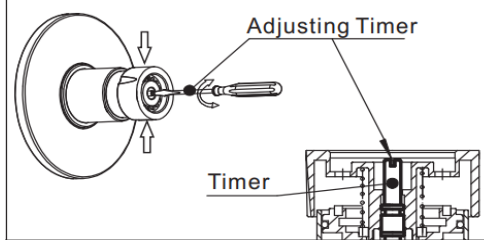
The information contained on this page was correct at date of issue. Fitting dimensions are provided as a guide only. Some variation may occur due to manufacturing tolerances. We pursue a policy of continuing improvement in design and performance of our products and so reserve the right to change specifications without prior notice.

UT41



27	Long shower brass pipe	1
26	Inner hexagonal end cap	1
25	Water outlet Flange	1
24	O ring	1
23	O ring	2
22	Water inlet Flange	1
21	Shower head	1
20	Plastic spray nozzle	1
19	Screw	1
18	S3 hexagon spanner	1
17	White plastic expansion nail	6
16	Stainless steel expansion screw	6
15	Fixed chassis	1
14	S2.5 black hexagon spanner	1
13	M5*5 Flat head fasten screw	2
12	Decorative cover	2
11	Elbow	2
10	Hexagonal copper nut	2
9	Silica gel O ring	2
8	Hexagonal connector	2
7	Flat gasket with filter screen	2
6	Locking cap	3
5	Brass Ring	3
4	Shower tap body	1
3	Diverter cartridge	1
2	Press nut	1
1	Time adjustable cartridge (assembled)	1
No.	Component Description	Qty

② Turn timer anti-clockwise to reduce the water flow time. Turn timer clockwise to increase water flow time. Adjust time between 10s-20s.



Alfred Victoria Exploded Drawings			Material:	Assembly	Size:	A4
(Date:D/M/Y)			Scale:	None	Issue No:	01
Drawn by:	Konstantine	28/06/2021				
Checked by:	Lee	28/06/2021				
Approved by:	T. K.	28/06/2021				
Drawing Name:						